

GALAXY BOILERS MEET OR EXCEED  
CANADIAN ENERGY PERFORMANCE REQUIREMENTS

*Slant/Fin*



Hot water and steam

**Galaxy** High Performance Gas Boilers  
*For fuel savings and reliability you can count on.*



*A boiler is one of the most important investments in your home.*

## Save money now *and later* with the Galaxy High Performance gas-fired boiler.

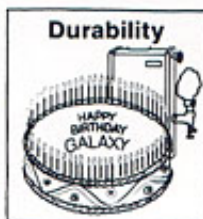
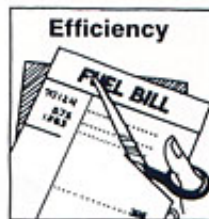
The Galaxy "High Performance" gas boiler is your wise choice for long-term *efficiency* and *reliability* in home heating. AFUE\* efficiency ratings of up to 84.78% will save fuel dollars now. And Galaxy's exceptionally high quality construction and careful factory testing ensure years and years of trouble free operation. Galaxy is the choice of experienced heating professionals and thousands of Canadian homeowners.

## High performance without potentially troublesome "new techniques".

Galaxy gives you high performance without turning to "induced draft" or "condensing" techniques,

so there's less to pay for now and less to go wrong. Galaxy leads the way in the true equation for high performance: **efficiency + durability + dependability.**

We've fine tuned natural draft boiler technology to its most advanced state...from the computer assisted design of our heat exchanger to metallurgically superior castings. And, because every part and component that we use is of the highest quality, the Galaxy will continue to provide reliable service over the years when other boilers become subject to performance and breakdown problems.



## Fast installation. Easy maintenance.

Your Slant/Fin heating contractor can install a new Galaxy boiler in less than a day. Its compact size allows it to fit through doors and stairwells with ease. A hefty wooden skid and carton protects the Galaxy from factory to basement, and makes it easily hand truckable, too. Installation is fast and simple. Packaged hot water

models come fully pre-wired and pre-set. The easy access front panel goes on and off in seconds. Burners, controls, pilot, combination gas valve and circulator are all mounted and easily within reach from the front of the boiler. The Galaxy boiler's handsome baked enamel jacket lets it harmonize nicely with the decor of a finished basement.

## SPECIFICATIONS: GG SERIES Hot water models (See back for GXH Series)



### ratings

#### NATURAL AND PROPANE GASES

Model Number*	CSA Ratings for Water				Net Ratings*			
	Gross Input		Gross Output		Water		Water	
	Watts	Btu/h	Watts	Btu/h	Watts	Btu/h	sq.m.	sq.ft.
GG-75H	22 000	75,000	19 000	64,000	16 300	55,700	34.5	371.3
GG-100H	29 000	100,000	24 000	83,000	21 200	72,200	44.7	481.3
GG-125H	37 000	125,000	30 000	103,000	26 300	89,600	55.5	597.3
GG-150H	44 000	150,000	37 000	125,000	31 900	108,700	69.0	742.6
GG-175H	51 000	175,000	42 000	145,000	37 000	126,100	78.1	840.6
GG-200H	59 000	200,000	49 000	167,000	42 600	145,200	89.9	968.0
GG-225H	66 000	225,000	55 000	186,000	47 400	161,700	100.1	1078.0
GG-250H	73 000	250,000	61 000	209,000	53 300	181,700	112.5	1211.3
GG-275H	81 000	275,000	67 000	228,000	58 100	198,300	122.8	1322.0
GG-300	88 000	300,000	70 000	240,000	61 200	208,700	129.1	1390.0
GG-325	95 000	325,000	76 000	260,000	66 300	226,100	140.3	1510.0
GG-350	103 000	350,000	82 000	280,000	71 400	243,500	150.5	1620.0
GG-375	110 000	375,000	88 000	300,000	76 500	260,900	161.6	1740.0
GGH-375	110 000	375,000	89 000	304,000	77,800	264,400	163.7	1762.3
GGH-399	117 000	399,000	96 000	327,000	83,600	284,400	176.1	1895.7

\* Net ratings are based on a piping and pick-up allowance of 1.15 (hot water). Slant/Fin should be consulted before selecting a boiler for installation having unusual piping and pick-up requirements. For elevations above 610 m (2,000 ft.) reduce ratings by 10%.

+ Add suffix "P" for packaged water boiler. "XP" for packaged water boiler less circulator and thermostat. Add suffix "E" for intermittent pilot ignition system (only with 24 volt gas valve). Add suffix "D" for motorized vent damper.

Type of gas: After model no. specify by name "Natural" or "Propane".

#### GALAXY\* Seasonal Efficiency (AFUE)

MODEL	EFFICIENCY
GG-75 HED	84.7%
GG-100 HED	82.7%
GG-125 HED	82.3%
GG-150 HED	82.9%
GG-175 HED	82.4%
GG-200 HED	83.1%
GG-225 HED	82.5%
GG-250 HED	83.4%
GG-275 HED	82.5%

\*Includes intermittent pilot and vent damper. Annual Fuel Utilization Efficiency based on constant circulation.

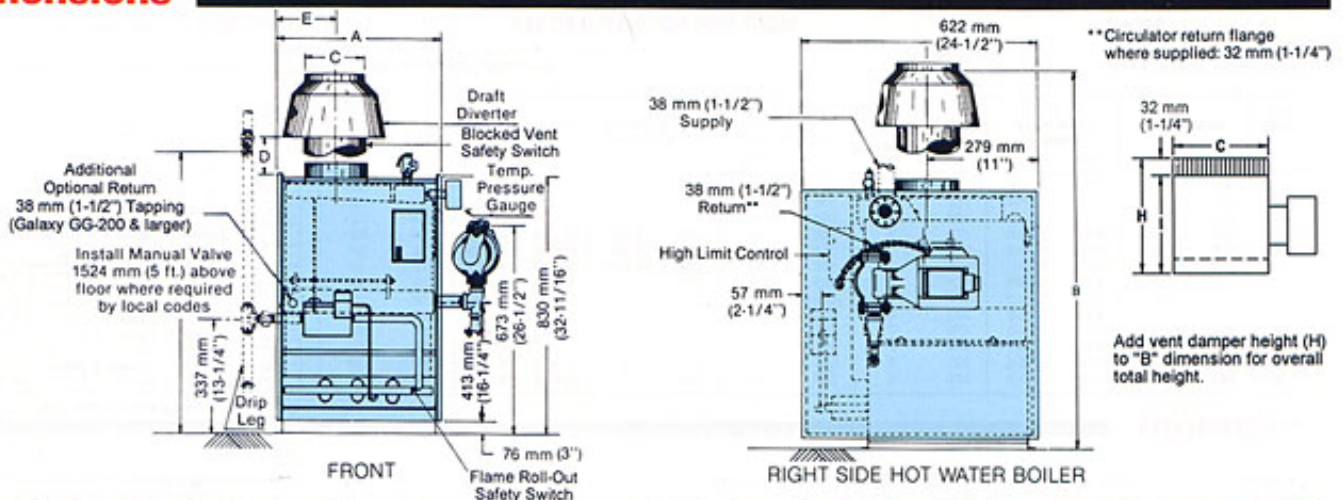
### equipment

**PACKAGED WATER BOILER (SUFFIX P)** includes pre-assembled heat exchanger with built-in air eliminator and insulated extended jacket; base; flue collector; gas burners, gas orifices and manifold assembly; combination gas valve including manual shut-off, automatic pilot-thermocouple safety; 2-way combination control (hi limit and circulator relay), pressure and temperature gauge; pressure relief valve (ASME); 32mm (1-1/4") circulator (GG-75 thru GG-250 models only); 24 volt thermostat; blocked vent safety switch; flame roll-out safety switch; drain cock; draft hood.

**PACKAGED WATER BOILER (SUFFIX XP)** Same as Model P above, but without circulator and thermostat.

**OPTIONAL EQUIPMENT:** base for combustible floor; intermittent pilot ignition system (available only with 24 volt gas valve) (Add suffix E); motorized automatic vent damper (Add suffix D). 100 psi testing optional.

### dimensions



Model Number	A Jacket Width		B Draft Hood Height		C Flue Collar Dia.		D Jacket Top to Draft Hood		E Side to Centre of Draft Diverter		Gas Connection (Nat./Prop.)	
	mm	Inch	mm	Inch	mm	Inch	mm	Inch	mm	Inch	mm	Inch
GG-75H	335	13-3/16	1178	46-3/8	127	5	171	6-3/4	133	5-1/4	13 x 13	1/2 x 1/2
GG-100H	335	13-3/16	1353	53-1/4	152	6	330	13	133	5-1/4	13 x 13	1/2 x 1/2
GG-125H	335	13-3/16	1353	53-1/4	152	6	330	13	133	5-1/4	13 x 13	1/2 x 1/2
GG-150H	421	16-9/16	1353	53-1/4	152	6	330	13	176	6-15/16	19 x 19	3/4 x 3/4
GG-175H	421	16-9/16	1353	53-1/4	152	6	330	13	176	6-15/16	19 x 19	3/4 x 3/4
GG-200H	506	19-15/16	1461	57-1/2	178	7	406	16	219	8-5/8	19 x 19	3/4 x 3/4
GG-225H	506	19-15/16	1461	57-1/2	178	7	406	16	219	8-5/8	19 x 19	3/4 x 3/4
GG-250H	592	23-5/16	1514	59-5/8	203	8	356	17	262	10-5/16	19 x 19	3/4 x 3/4
GG-275H	592	23-5/16	1514	59-5/8	203	8	356	17	262	10-5/16	19 x 19	3/4 x 3/4
GG-300	678	26-11/16	1514	59-5/8	203	8	356	17	305	12	19 x 19	3/4 x 3/4
GG-325	678	26-11/16	1514	59-5/8	203	8	356	17	305	12	19 x 19	3/4 x 3/4
GG-350	764	30-1/16	1680	66-1/8	229	9	572	22-1/2	348	13-11/16	19 x 19	3/4 x 3/4
GG-375	764	30-1/16	1680	66-1/8	229	9	572	22-1/2	348	13-11/16	19 x 19	3/4 x 3/4
GGH-375	764	30-1/16	1514	59-5/8	254	10	381	15	348	13-11/16	19 x 19	3/4 x 3/4
GGH-399	764	30-1/16	1591	62-5/8	254	10	457	18	348	13-11/16	19 x 19	3/4 x 3/4

Johnson Vent Damper		Effikal Vent Damper	
C	H	I	H
127mm (5")	152mm (6")	121mm (4-3/4")	154mm (6-1/16")
152mm (6")	152mm (6")	121mm (4-3/4")	165mm (6-1/2")
178mm (7")	171mm (6-3/4")	140mm (5-1/2")	179mm (7-1/16")
203mm (8")	197mm (7-3/4")	165mm (6-1/2")	205mm (8-1/16")
229mm (9")	248mm (9-3/4")	216mm (8-1/2")	257mm (10-1/8")
254mm (10")	248mm (9-3/4")	216mm (8-1/2")	308mm (12-1/8")

# SPECIFICATIONS: GHX SERIES

SEE PAGE 7 FOR GG SERIES  
HOT WATER BOILER SPECIFICATIONS

Hot water models (tankless heaters) Steam Models (optional tankless heater)



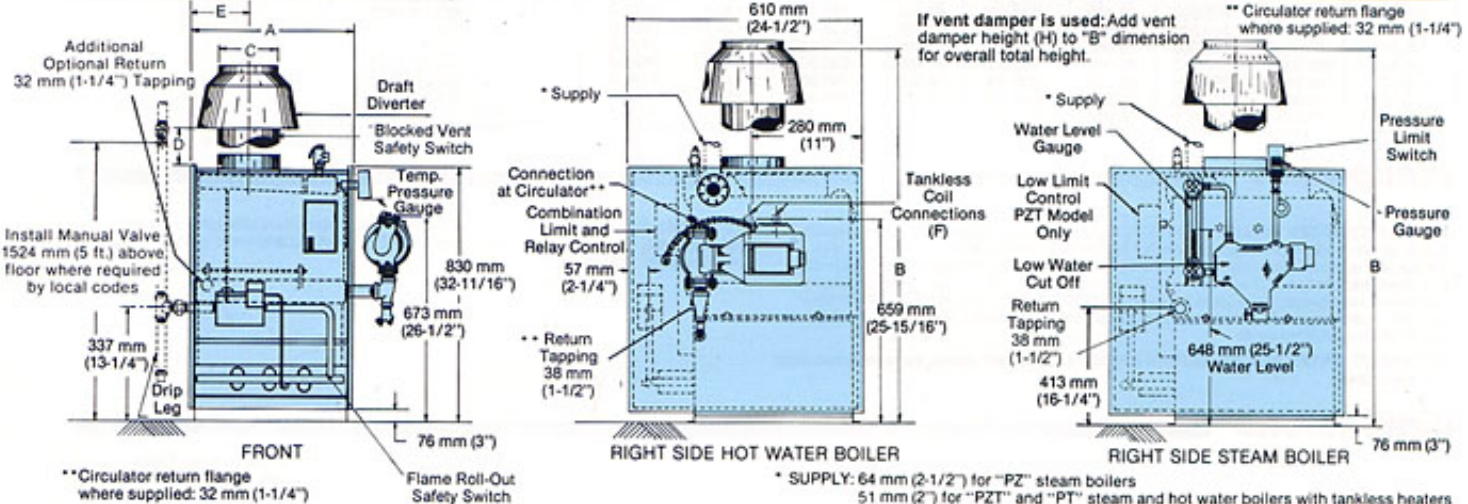
## ratings

### NATURAL AND PROPANE GASES

Model Number +	CSA Ratings				Net Ratings				Net Ratings				Tankless Heater Cap. §		Seasonal Efficiency (AFUE) Δ
	Input		Gross Output		Water				Steam						
	Watts	Btuh	Watts	Btuh	Watts	Btuh	sq. m.	sq. ft.	Watts	Btuh	sq. m.	sq. ft.	l/s	USGPM	
GXH-105	31 000	105,000	25 000	86,000	22 000	75,000	46	495	19 000	65,000	25	271	0.16	2-1/2	81.00%
GXH-125	37 000	126,000	30 000	104,000	26 500	90,000	56	600	23 000	78,000	30	325	0.19	3	81.00%
GXH-150	43 000	147,000	35 000	120,000	30 500	104,000	65	695	26 500	90,000	35	375	0.21	3-1/4	81.14%
GXH-170	49 000	168,000	40 000	137,000	35 000	119,000	74	795	30 000	103,000	40	429	0.22	3-1/2	81.14%
GXH-190	55 000	189,000	45 000	155,000	39 500	135,000	83	895	34 000	116,000	45	483	0.24	3-3/4	81.14%
GXH-210	62 000	210,000	50 000	172,000	44 000	150,000	92	995	38 000	129,000	50	538	0.25	4	81.17%
GX-225	66 000	225,000	54 000	184,000	47 000	160,000	99	1065	39 500	134,300	52	560	0.25	4	81.30%
GXH-230	68 000	231,000	55 000	189,000	48 000	164,000	102	1095	41 500	142,000	55	591	0.26	4-1/4	81.21%
GX-250	73 000	250,000	60 000	204,000	52 000	177,400	110	1180	43 500	148,500	58	620	0.28	4-1/2	80.70%
GXH-250	74 000	252,000	60 500	206,000	52 500	179,000	111	1195	45 000	155,000	60	646	0.28	4-1/2	81.24%
GXH-275	80 000	273,000	65 000	223,000	57 000	194,000	120	1290	49 000	167,000	65	696	0.32	5	81.28%
GXH-300	88 000	300,000	70 000	240,000	61 500	209,000	130	1395	53 000	180,000	70	750	0.35	5-1/2	—
GXH-300H **	88 000	300,000	71 000	243,000	62 000	211,000	131	1405	53 500	182,000	71	758	0.35	5-1/2	—

Δ Net ratings are based on a piping and pick-up allowance of 1.15 (hot water). SlantFin should be consulted before selecting a boiler for installation having unusual piping and pick-up requirements. For elevations above 610 m (2,000 ft.) reduce ratings by 10%.  
 Δ Includes intermittent pilot and vent damper for hot water models.  
 § Tankless heater ratings based on intermittent draw.  
 \*\* Ratings for GXH-300H are for natural gas only.  
 Type of gas: After model no. specify by name "Natural" or "Propane".

## dimensions



Model Number	A Jacket Width		B Draft Hood Height		C Flue Collar Dia.		D Jacket Top to Draft Hood		E Side to Centre of Draft Diverter		Gas Connection (Nat./Prop.)		F Tankless Coil	
	mm	Inch	mm	Inch	mm	Inch	mm	Inch	mm	Inch	mm	Inch	mm	Inch
GXH-105	421	16-9/16	1184	46-5/8	127	5	171	6-3/4	176	6-15/16	19 x 19	3/4 x 3/4	13+	1/2+
GXH-125	421	16-9/16	1353	53-1/4	152	6	330	13	176	6-15/16	19 x 19	3/4 x 3/4	13+	1/2+
GXH-150	506	19-15/16	1410	55-1/2	178	7	356	14	219	8-5/8	19 x 19	3/4 x 3/4	13+	1/2+
GXH-170	506	19-15/16	1410	55-1/2	178	7	356	14	219	8-5/8	19 x 19	3/4 x 3/4	13+	1/2+
GXH-190	506	19-15/16	1410	55-1/2	178	7	356	14	219	8-5/8	19 x 19	3/4 x 3/4	19	3/4
GXH-210	592	23-5/16	1410	55-1/2	178	7	356	14	261	10-5/16	19 x 19	3/4 x 3/4	19	3/4
GX-225	592	23-5/16	1438	56-5/8	203	8	356	14	261	10-5/16	19 x 19	3/4 x 3/4	19	3/4
GXH-230	592	23-5/16	1410	55-1/2	178	7	356	14	261	10-5/16	19 x 19	3/4 x 3/4	19	3/4
GX-250	592	23-5/16	1438	56-5/8	203	8	356	14	261	10-5/16	19 x 19	3/4 x 3/4	19	3/4
GXH-250	662	26-1/16	1410	55-1/2	178	7	356	14	305	12	19 x 19	3/4 x 3/4	19	3/4
GXH-275	662	26-1/16	1410	55-1/2	178	7	356	14	305	12	19 x 19	3/4 x 3/4	19	3/4
GXH-300	662	26-1/16	1718	67-5/8	203	8	635	25	305	12	19 x 19	3/4 x 3/4	19	3/4
GXH-300H	662	26-1/16	1502	59-1/8	229	9	381	15	305	12	19 x 19	3/4 x 3/4	19	3/4

Johnson Damper		Effikal Damper	
C	H	I	H
127mm (5")	152mm (6")	121mm (4-3/4")	154mm (6-1/16")
152mm (6")	171mm (6-3/4")	121mm (4-3/4")	165mm (6-1/2")
178mm (7")	171mm (6-3/4")	140mm (5-1/2")	179mm (7-1/16")
203mm (8")	197mm (7-3/4")	165mm (6-1/2")	205mm (8-1/16")

+ 19 mm (3/4") connection for all steam models.

## equipment

**PACKAGED WATER BOILER WITH TANKLESS HEATER (SUFFIX PT)** includes pre-assembled cast-iron heat exchanger with built in air eliminator; an insulated extended jacket; base; flue collector; gas burners, gas orifices and manifold assembly; combination gas valve including manual shut-off, pressure regulator, pilot adj. and 100% shut off, automatic pilot-thermocouple safety; pressure and temperature gauge; pressure relief valve (ASME); draft hood; drain cock; 3-way combination control (hi-limit, circulator relay and lo-limit with differential); tankless heater, blocked vent safety switch; flame roll-out safety switch.

siphon; pressure gauge; low water cut-off and water level sight glass (unmounted); steam pressure relief valve (ASME); draft hood; drain cock; 24 volt thermostat, transformer and junction box; blocked vent spill safety switch; flame roll-out safety switch.

**PACKAGED STEAM BOILER WITH TANKLESS HEATER (SUFFIX PZT)** includes all equipment listed for model PZ, plus tankless heater and low limit control.

**PACKAGED STEAM BOILER (SUFFIX PZ)** includes pre burners, gas orifices and manifold assembly; insulated exte combination gas valve including manual shut-off, pressure r adj. and 100% shut-off, automatic pilot-thermocouple safety



# United Energy

Heating & Cooling [www.unitedenergy.ca](http://www.unitedenergy.ca)

- Boilers • Ductless • Furnaces
- Central Air • Fireplaces
- Air Quality

PRINTED IN CANADA  
HG-11/00-11/00-SM



3693 Lakeshore Blvd. West, Unit B Toronto, Ontario M8W 1P7

ENGINEERED FOR EXCELLENCE